

SmartEdge-18W-CPIRO

According to the needs of the environment, three kinds of CCT can be changeable by 3000K /4000K /6500K

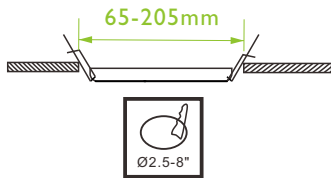
Motion Sensor & Light Sensor

More energy efficient and convenient

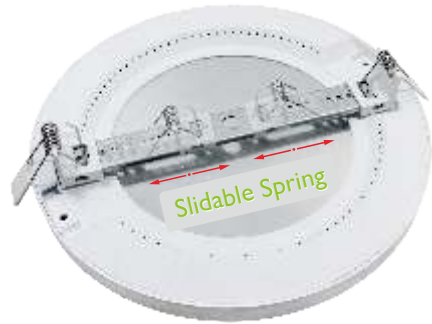


Recessed ▼

1 I8W D220mm

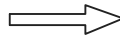
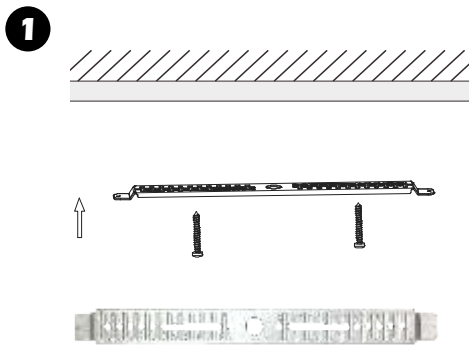


Fit all cut-out from
65-205mm (2.5"-8")



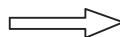
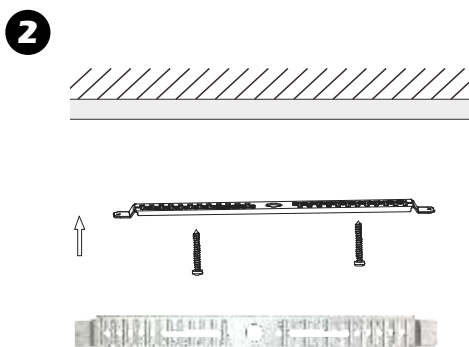
Surface-mounted ▼

EASY & FAST installation



Easy surface-mounted

↳ Twist on to lock



Easy surface-mounted

↳ Push to lock

Product Features

- Super slim - only 18mm. Elegant appearance.
- Built-in driver, save your space.
- Several types of the panel light sizes for your choice, can be used for main lighting or decorating lighting.
- Multiple installation ways, easy operating, save labor.
Surface-mounted & Recessed (fit cut out from 65mm-205mm)
- Soft lighting.
- High brightness, high CRI, perfect replacement for ceiling lamp.

Specification

- Voltage: AC220-240V 50~60Hz.
- Operating temperature: -4~113F(-25~40°C).
- Lamp life: 30,000hrs / 70%.
- Available color: 2700K, 3000K, 4000K, 6500K.
- Shape selection: Round / Square.
- Color rendering: Ra>80.
- Energy efficiency: 85-95lm/W.
- Degree of protection: IP20.

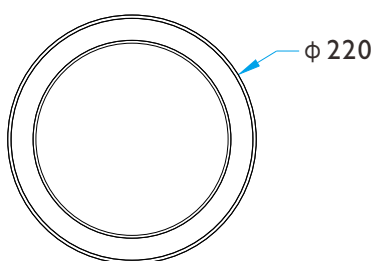


Round Version

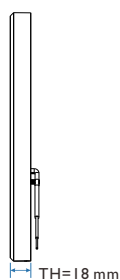


Square Version

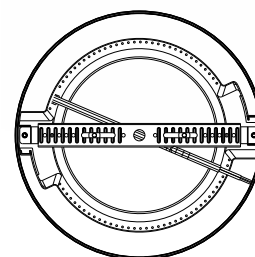
Dimension & Technology Parameter



FrontView



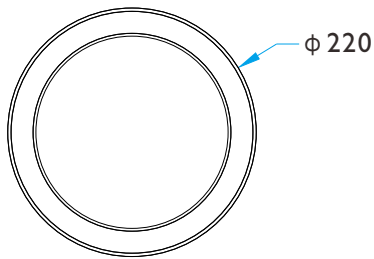
SideView



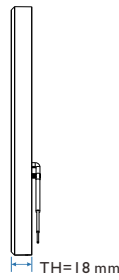
BackView

Item No.	SmartEdge-18W	SmartEdge-18W-IR	SmartEdge-18W-D	SmartEdge-18W-CPTC	SmartEdge-18W-CPIR
Diameter (A/B mm)	220/170mm	220/170mm	220/170mm	220/170mm	220/170mm
Thickness(mm)	18mm	18mm	18mm	18mm	18mm
Watt (W)	18W	18W	18W	18W	18W
LED Qty (pcs)	90pcs	90pcs	90pcs	120pcs	120pcs
Voltage (V)	AC220-240V, 50/60Hz	AC220-240V, 50/60Hz	AC220-240V, 50/60Hz	AC220-240V, 50/60Hz	AC220-240V, 50/60Hz
Lumens (lm)	1600-1900lm	1600-1900lm	1400-1620lm	1400-1620lm	1600-1620lm
Light Efficacy (lm/W)	85-95lm/w	85-95lm/w	80-90lm/w	80-90lm/w	80-90lm/w
CCT (K)	2700-6500K	2700-6500K	2700-6500K	Constant Power 18W 3000-4000-6500K	Constant Power 18W 3000-4000-6500K
CRI (Ra)	>80	>80	>80	>80	>80
Beam Angle (°)	110°	110°	110°	110°	110°
Function	NO	Motion Sensor & Light Sensor	Dimmable	CCT change	Motion Sensor & Light Sensor + CCT change
Sensing Distance(m)	-	3.5-4m	-	-	3.5-4m
Power Factor (PF)	>0.5	>0.5	>0.95	>0.5	>0.5
Lifetime (Hrs)	30,000	30,000	30,000	30,000	30,000

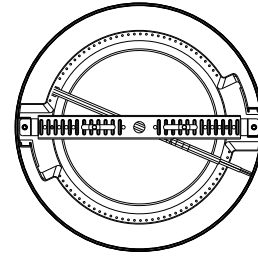
Dimension & Technology Parameter



FrontView



SideView



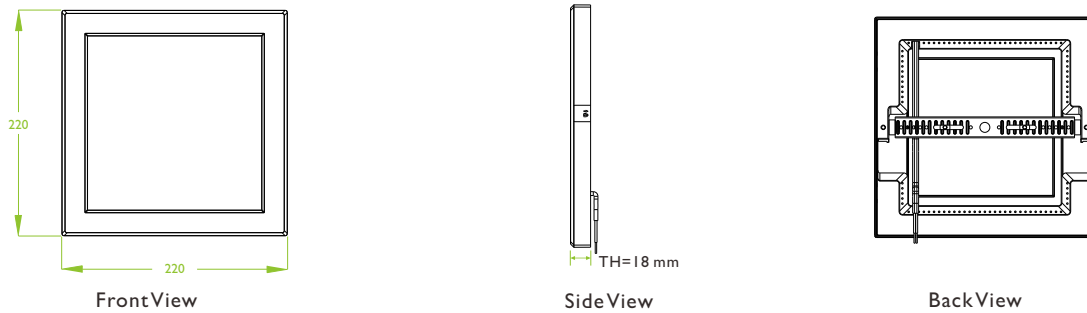
BackView

Item No.	SmartEdge-18W-CPIRO	SmartEdge-18W-TP	SmartEdge-18W-TPIRO
Diameter (A/B mm)	220/170mm	220/170mm	220/170mm
Thickness(mm)	18mm	18mm	18mm
Watt (W)	18W	10W/15W/18W	10W/15W/18W
LED Qty (pcs)	120pcs	90pcs	90pcs
Voltage (V)	AC220-240V, 50/60Hz	AC220-240V, 50/60Hz	AC220-240V, 50/60Hz
Lumens (lm)	1400-1620lm	10W -950-1000lm / 15W -1350-1400lm / 18W -1500-1550lm	10W -950-1000lm / 15W -1300-1350lm / 18W -1500-1550lm
Light Efficacy (lm/W)	80-90lm/w	85-100lm/w	85-100lm/w
CCT (K)	2700-6500K	2700-6500K	2700-6500K
CRI (Ra)	>80	>80	>80
Beam Angle (°)	110°	110°	110°
Function	Motion Sensor & Light Sensor + CCT change + Sensor ON/OFF	Power adjustable	Motion Sensor & Light Sensor + Power adjustable + Sensor ON/OFF
Sensing Distance(m)	3.5-4m	3.5-4m	3.5-4m
Power Factor (PF)	>0.5	>0.5	>0.5
Lifetime (Hrs)	30,000	30,000	30,000

SmartEdge Multi-purpose Mini Panel

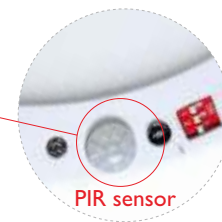
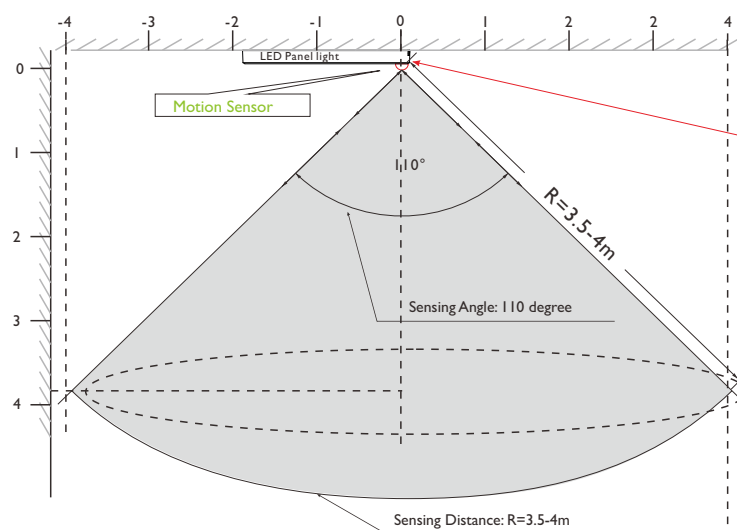
Perfectly replace ceiling light

Dimension & Technology Parameter



Item No.	SmartPlus-18W	SmartPlus-18W-IR	SmartPlus-18W-D	SmartPlus-18W-CPTC	SmartPlus-18W-CPIR
Diameter (A/B mm)	220x220mm	220x220mm	220x220mm	220x220mm	220x220mm
Thickness(mm)	18mm	18mm	18mm	18mm	18mm
Watt (W)	18W	18W	18W	18W	18W
LED Qty (pcs)	96pcs	96pcs	96pcs	120pcs	120pcs
Voltage (V)	AC220-240V, 50/60Hz	AC220-240V, 50/60Hz	AC220-240V, 50/60Hz	AC220-240V, 50/60Hz	AC220-240V, 50/60Hz
Lumens (lm)	1600-1900lm	1600-1900lm	1400-1620lm	1400-1620lm	1400-1620lm
Light Efficacy (lm/W)	85-95lm/w	85-95lm/w	80-90lm/w	80-90lm/w	80-90lm/w
CCT (K)	2700-6500K	2700-6500K	2700-6500K	Constant Power 18W 3000-4000-6500K	Constant Power 18W 3000-4000-6500K
CRI (Ra)	>80	>80	>80	>80	>80
Beam Angle (°)	110°	110°	110°	110°	110°
Function	NO	Motion Sensor & Light Sensor	Dimmable	CCT change	Motion Sensor & Light Sensor + CCT change
Sensing Distance(m)	-	3.5-4m	-	-	3.5-4m
Power Factor (PF)	>0.5	>0.5	>0.95	>0.5	>0.5
Lifetime (Hrs)	30,000	30,000	30,000	30,000	30,000

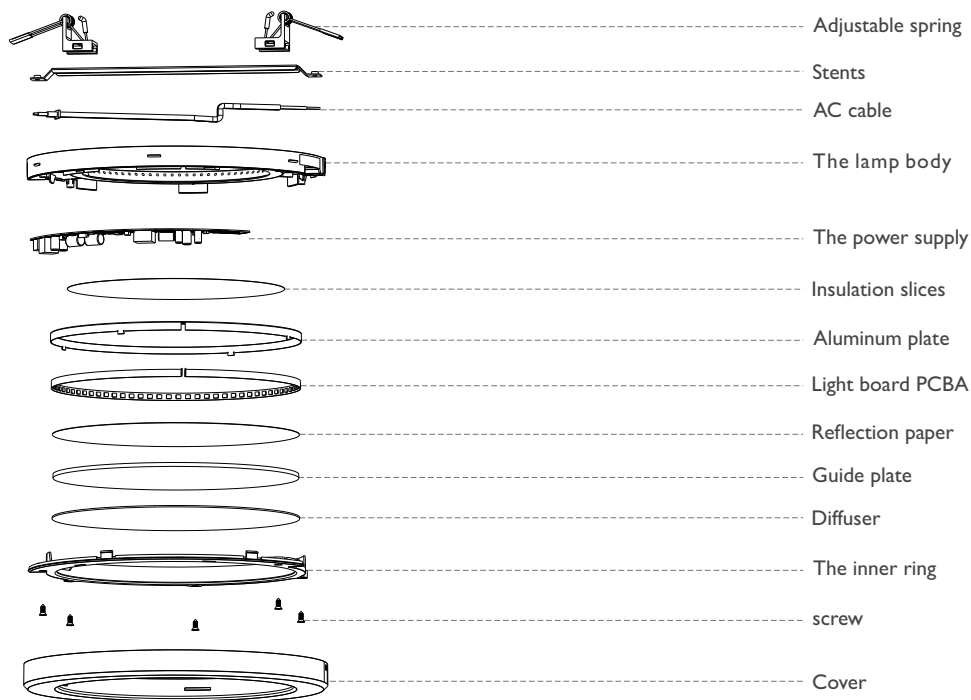
Infrared Induction Range Diagram



Attention

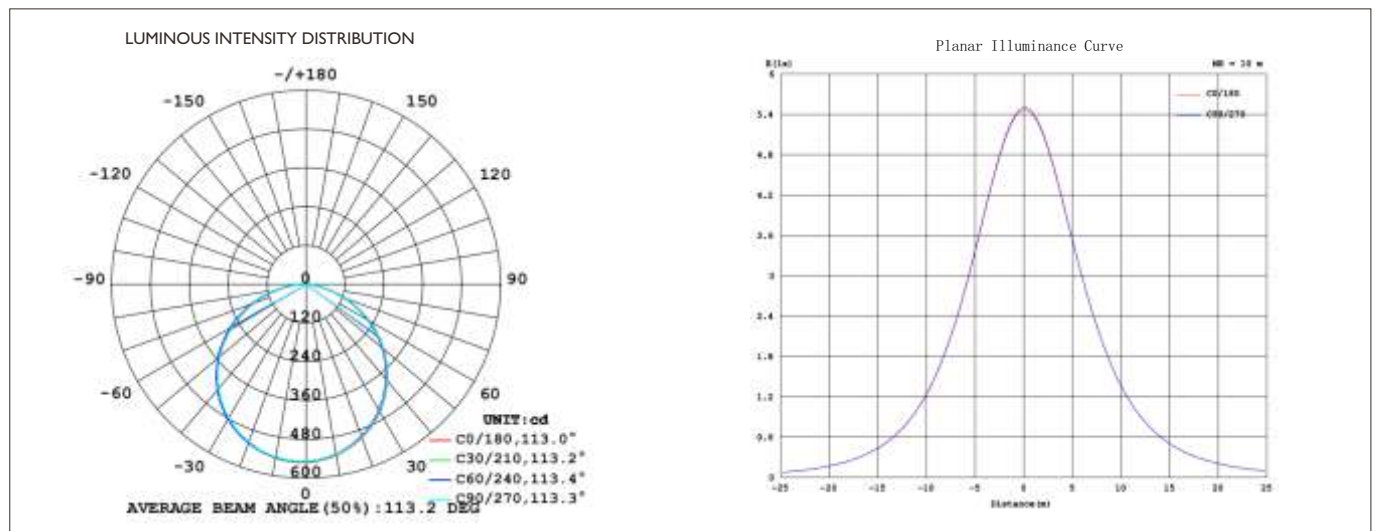
1. Sensing method: Infrared Induction
2. Sensing distance: 3.5-4m
3. Sensing angle: 110 degree
4. Sensing duration: 30/180s

⇒ Product Structure (Example: AirFlatEdge)



⇒ Optical property

Light distribution: symmetry lighting
 CCT : 4000K
 Dimension: Ø220x18mm



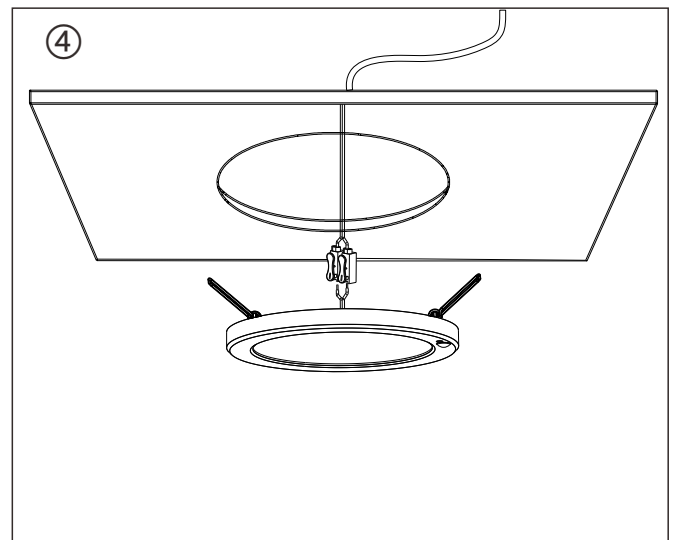
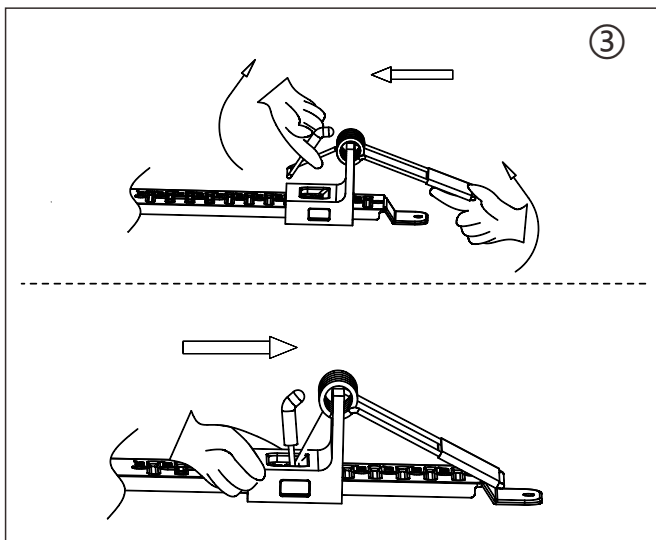
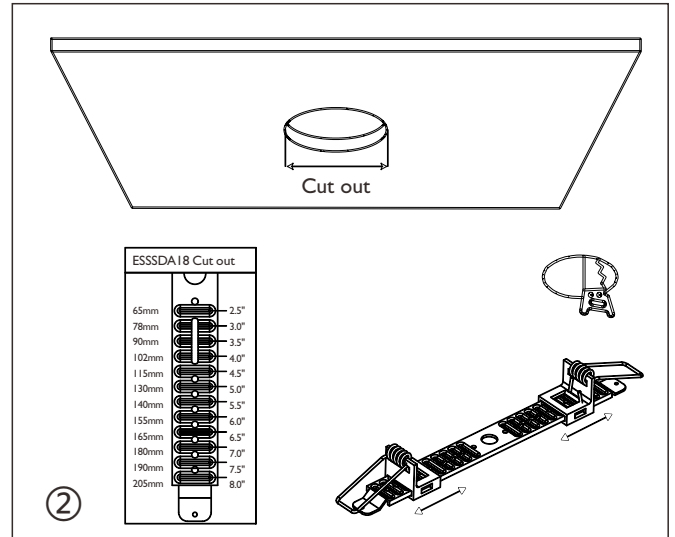
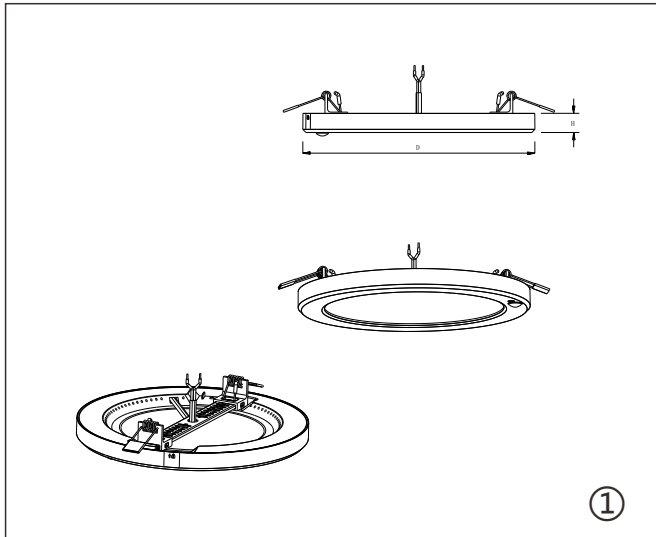
Attention

- The above luminous intensity distribution curve only represent the testing result of SmartEdge-18W(4000K) this time.
- The above testing data of luminous intensity distribution curve only for testing reference, not present the data of every product.
- The luminous intensity distribution curve will vary with the power and color temperature of the LED panel light. This series product, color can be 2700K, 3000K, 4000K, 6500K etc.
- The testing data of luminous intensity distribution curve will vary with each test instrument.

↻ Installation Instruction

Recessed

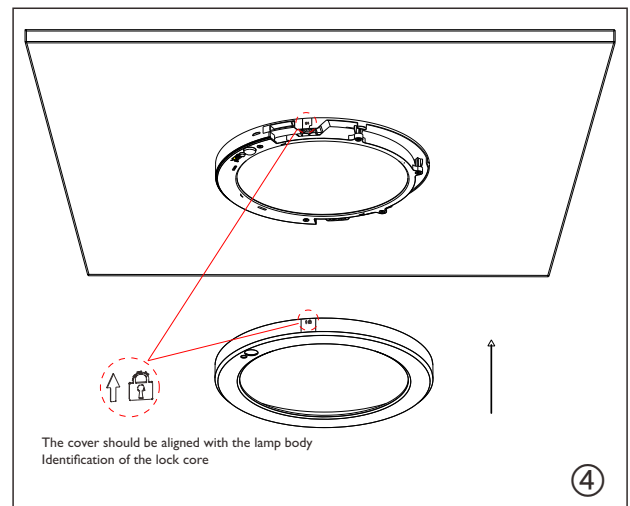
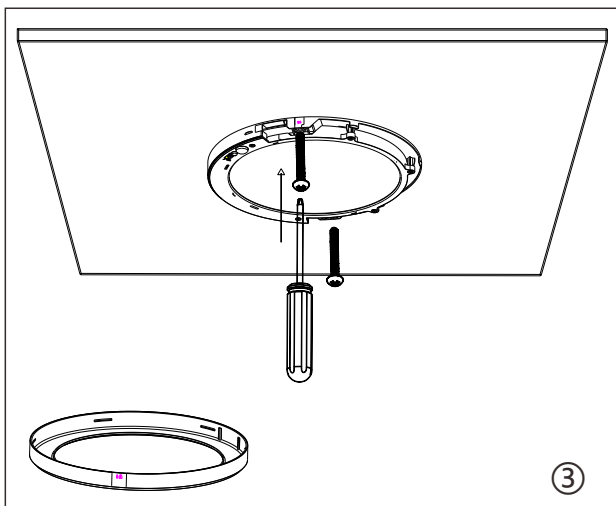
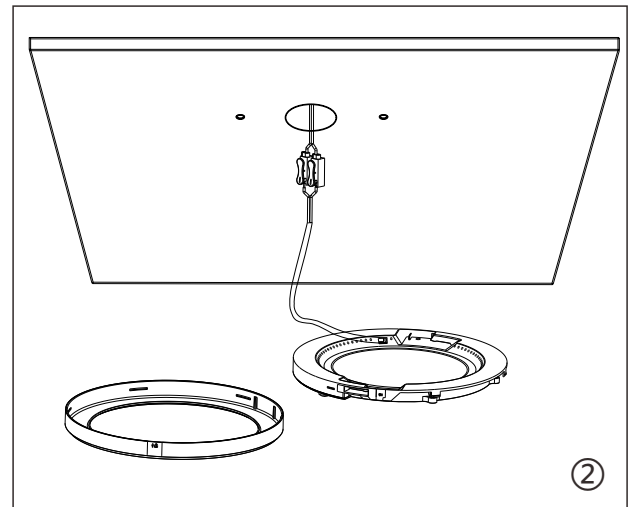
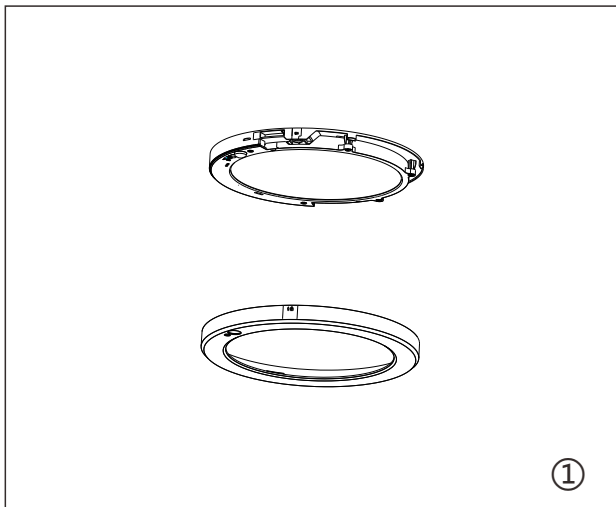
Notice: Spring adjustable instruction



1. Adjust springs to suitable size position according to ceiling cut-out
2. Twist on bracket into light;

3. Connect power cable with terminal
4. Pull up springs, install light into ceiling cut-out

➔ Surface-mounted

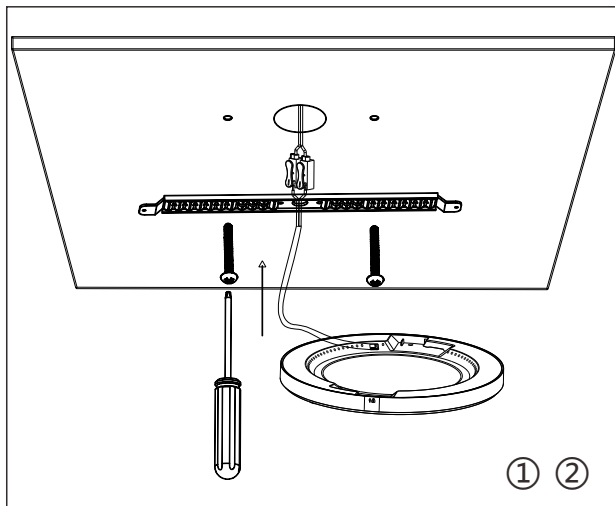


1. Take off surface cover
2. Connect power cable with terminal

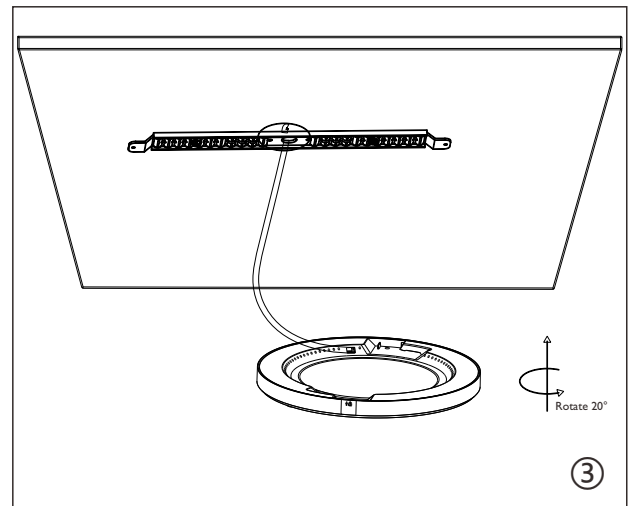
3. Use screws fixing light onto roof through light housing holes
4. Install surface cover to light body. Ensure lock marks are matched.

➔ Surface-mounted

Mounting method of bracket surface mounting



1. Connect power cable with terminal
2. Fix bracket onto ceiling with screws



3. Twist on light to tighten it with bracket

Installation Attention

- Only the professional electrician can do the installing work. (Watch out the high voltage!)
- Make sure the integrity of the panel light when open the package.
- There is at least 0.2mm distance between the lamp and the inflammable materials.
- The power line can be fixed by clips and need to make sure it is fixed tightly.
- Make sure the power line get enough length to avoid any pull force of the line.
- Link the drive to electric supply, usually, the brown line is firing line, the blue line is null line.